



# ES9-4

## SPECIFICATIONS

**Nominal Voltage (V)** 4V

### Nominal Capacity

20 hour rate ( 0.45A to 3.5V )	9Ah
10 hour rate ( 0.855A to 3.5V )	8.55Ah
5 hour rate ( 1.53A to 3.4V )	7.65Ah
1C ( 9A to 3.2V )	5.1Ah
3C ( 27A to 3.2V )	3.6Ah

**Weight** Approx. 2.43Lbs. (1.10kg)

**Internal Resistance (at 1KHz)** 18 mΩ

**Maximum Discharge Current for 5 seconds :** 90A

### Operating Temperature Range

Charge	0°C ( 32°F ) to 50°C (122°F )
Discharge	-20°C ( 68°F ) to 60°C (140°F )
Storage	-20°C ( 68°F ) to 60°C (140°F )

### Charging Methods at 25°C ( 77°F )

**Cycle Use :** Charging Voltage 4.8 to 5.0V  
Coefficient -5.0mv / °C / cell  
Maximum Charging Current : 2.7A

**Standby Use :** Float Charging Voltage 4.5 to 4.6V  
Coefficient -3.0mv / °C / cell

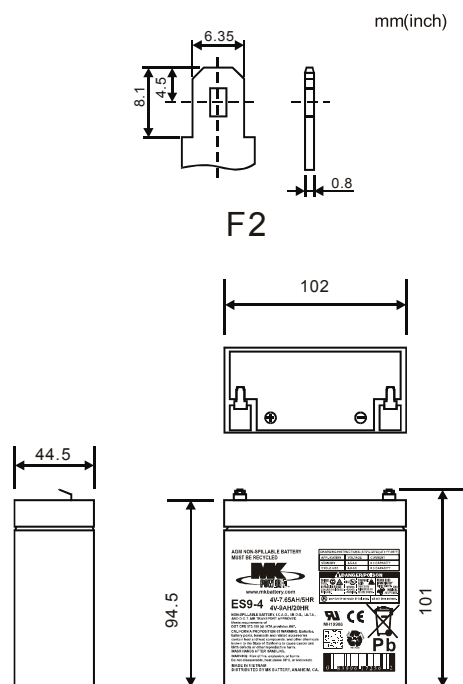
**Case Material :** ABS  
(Option : UL94 HB Flame Retardant Case Material)

**Terminal :** F2

## Maintenance-Free Rechargeable Sealed Lead-Acid Battery



## DIMENSIONS



## MK Battery

1631 South Sinclair Street • Anaheim, California 92806

Toll Free: 800-372-9253 • Fax: 714-937-0818 • E-mail: sales@mkbattery.com

