

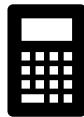
East Penn Manufacturing Co.

12 Volt Fahrenheit Solutions



AH	Type	Battery Type	AH c/81.75vpc	# Strings	Batts. Per String	Battery			
						Length (in)	Width (in)	Height (in)	Weight (lbs)
12 Volt Fahrenheit									
50AH	Front Access	HT80ET	70	1	10	15.61	4.12	10.42	57
100AH	Front Access	HT145ET	140	1	10	17.36	6.9	10.11	102
100AH	Front Access	HT150ET	144	1	10	22.17	4.97	11.63	103
150AH	Front Access	HT170ET	164	2	10	22.13	4.97	12.58	118
200AH	Front Access	HT200ET	190	2	10	24.15	4.97	12.74	151

Deka Sizing:



Battery Specifications:



Switchgear Control Backup Ordering Guide

East Penn Manufacturing Co.

Rack Solutions A



120V, 5W x 2T Racking Solutions (Rack Only)

AH	Battery Type	C&C Power Rack Part No. Standard *	C&C Power Rack Part No. Seismic *	Width (in)	Depth (in)	Height (in)	Weight (lbs)	Option Clear Shield Kit Part No.	Option Main Busbar Kit Part No.
50AH	HT80ET	540-00585	540-00582	30.00	26.00	22.50	80	430-00804	430-00805
100AH	HT145ET	540-00592	540-00591	39.00	18.00	22.50	48	430-00810	430-00805
	HT150ET	540-00585	540-00582	30.00	26.00	22.50	80	430-00804	430-00805
150AH	HT170ET	540-00585	540-00582	30.00	26.00	22.50	80	430-00804	430-00805
200AH	HT200ET	540-00585	540-00582	30.00	26.00	22.50	80	430-00804	430-00805

- * **Includes:** (1) #2 AWG cable for tier-to-tier battery connection, with single hole lugs for 1/4" bolt.
 (8) Inter-battery cables and (10) cable terminal boots for top terminal batteries. No shielding required.
 (2) Battery hold-down brackets for seismic requirements.

Options: Main Busbar Kit with main cables to batteries.
 Clear shield kit to cover front access battery terminals. 2 shields

Switchgear Control Backup Ordering Guide

East Penn Manufacturing Co.

Rack Solutions A

TOP VIEW
26.62"

FRONT VIEW
30.25"

RIGHT VIEW
22.50"

ISOMETRIC VIEW

(10x) 12AVR100ET BATTERIES

TERMINAL COVER KIT OPTIONAL

FRONT HOLD-IN OPTIONAL FOR SEISMIC

BUS BAR KIT OPTIONAL

80-.406" MOUNT HOLES (4x)

BOTTOM VIEW
28.50"
2.00"
22.00"
0.88"

NOTES:
APPROXIMATE WEIGHT LESS BATTERIES: 65 LBS.
1. CONSTRUCTED WITH HEAVY DUTY COLD ROLLED STEEL.
2. RACK SHIPS LOOSE WITH HARDWARE TO BE ASSEMBLED ON SITE.
3. FRONT AND BACK HOLD-INS CAN ADJUST TO ACCOMMODATE BATTERY SIZE.
4. FINISH IS BLACK DURABLE CHIP AND CORROSION RESISTANT POWDER COAT.
5. BUS BAR KIT OPTIONAL.
6. STRAPS INCLUDED IN SEISMIC OPTION.

91019 FRONT TERMINAL BATTERY RACK
12AVR100ET BATTERIES

THE INFORMATION CONTAINED IN THIS DRAWING IS THE SOLE PROPERTY OF EAST PENN MANUFACTURING CO., INC. AND IS TO BE USED ONLY FOR THE PROJECT AND SITE SPECIFICALLY IDENTIFIED HEREON. ANY REUSE OR MODIFICATION WITHOUT THE WRITTEN PERMISSION OF EAST PENN MANUFACTURING CO., INC. IS PROHIBITED.

ENGINEERS ARE IN CHARGE: DATE: 11/02/2021
DESIGNER: JRL 11/02/2021
CHECKER: JRL 11/02/2021
DATE: 11/02/2021

C&C POWER
ENGINEERED POWER PRODUCTS
WWW.CCPOWER.COM

© 2021 C&C POWER, INC.
ALL RIGHTS RESERVED

SHEET 1 OF 1

Switchgear Control Backup Ordering Guide

East Penn Manufacturing Co.

Rack Solutions A

91013 FRONT TERMINAL BATTERY RACK
12AVR170ET BATTERIES

TOP VIEW
26.82"

FRONT VIEW
30.25"

BOTTOM VIEW
28.50"
22.00"
0.88"
0.88"

RIGHT VIEW
22.50"

ISOMETRIC VIEW
(10x) 12AVR170ET BATTERIES
TERMINAL COVER KIT OPTIONAL
FRONT HOLD-IN OPTIONAL FOR SEISMIC
BUS BAR KIT OPTIONAL
Ø0.406" MOUNT HOLES (4x)

NOTES:
1. APPROXIMATE WEIGHT LESS BATTERIES: 65 LBS.
2. CONSTRUCTED WITH HEAVY DUTY COLD ROLLED STEEL.
3. RACK SHIPS LOOSE WITH HARDWARE TO BE ASSEMBLED ON SITE.
4. FRONT AND BACK HOLD-INS CAN ADJUST TO ACCOMMODATE BATTERY SIZE.
5. FINISH IS BLACK DURABLE CHIP AND CORROSION RESISTANT POWDER COAT.
6. BUS BAR KIT OPTIONAL.
7. STRAPS INCLUDED IN SEISMIC OPTION.

DATE	11/19/2021
DESIGNED BY	JRL
CHECKED BY	MTS
APPROVED BY	MTS
DATE	11/19/2021
REVISION	1
DESCRIPTION	91013 FRONT TERMINAL BATTERY RACK

C&C POWER
ENGINTECH POWER PRODUCTS
WWW.CCPOWER.COM
© 2021 C&C POWER, INC.
ALL RIGHTS RESERVED.

Switchgear Control Backup Ordering Guide

East Penn Manufacturing Co.

Rack Solutions A

TOP VIEW
26.82"

FRONT VIEW
30.25"

RIGHT VIEW
22.50"

ISOMETRIC VIEW

(10x) 12AVR200ET BATTERIES

TERMINAL COVER KIT OPTIONAL

FRONT HOLD-IN OPTIONAL FOR SEISMIC

BUS BAR KIT OPTIONAL

2.00"

22.00"

0.88"

28.50"

0.88"

20.406" MOUNT HOLES (4x)

NOTES:
 APPROXIMATE WEIGHT LEAST BATTERIES: 65 LBS.
 1. CONSTRUCTED WITH HEAVY DUTY COLD ROLLED STEEL.
 2. RACK SHIPS LOOSE WITH HARDWARE TO BE ASSEMBLED ON SITE.
 3. FRONT AND BACK HOLD-INS CAN ADJUST TO ACCOMMODATE BATTERY SIZE.
 4. FINISH IS BLACK DURABLE CHIP AND CORROSION RESISTANT POWDER COAT.
 5. BUS BAR KIT OPTIONAL.
 6. STRAPS INCLUDED IN SEISMIC OPTION.

91013 FRONT TERMINAL BATTERY RACK
 12AVR200ET BATTERIES

THE INFORMATION CONTAINED IN THIS DRAWING IS THE SOLE PROPERTY OF C&C POWER, INC. AND IS NOT TO BE REPRODUCED OR TRANSMITTED IN ANY FORM OR BY ANY MEANS, ELECTRONIC OR MECHANICAL, INCLUDING PHOTOCOPYING, RECORDING, OR BY ANY INFORMATION STORAGE AND RETRIEVAL SYSTEM.

DESIGNED BY	DATE
DRAWN BY	11/13/2021
CHECKED BY	PROJECT MGR
APPROVED BY	11/13/2021
DATE	11/13/2021
PROJECT	PERMITS
SCALE	AS SHOWN
DATE	11/13/2021
PROJECT	PERMITS
SCALE	AS SHOWN

C&C POWER
 ENGINEERED POWER PRODUCTS
 WWW.CCPOWER.COM

© 2021 C&C POWER, INC.
 ALL RIGHTS RESERVED

11/13/2021 91013-001-1 2021 REV

Switchgear Control Backup Ordering Guide

East Penn Manufacturing Co.

Rack Solutions B



FTR Open Racks

120V, 5W x 2T Racking Solutions (Rack Only)

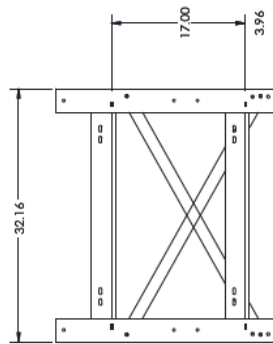
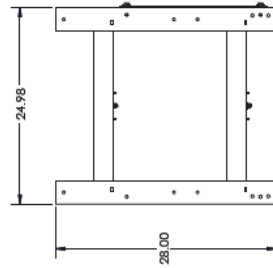
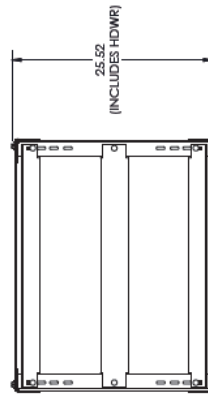
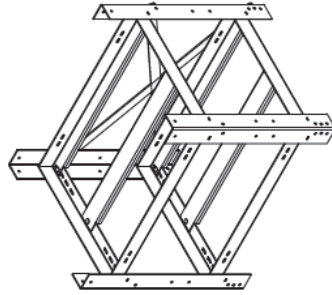
AH	Battery Type	ESS FTR Rack Part No.	ESS FTR Rack Part No.	Width (in)	Depth (in)	Height (in)	Weight (lbs)
		Non Seismic **	Seismic **				
50AH	HT80ET	FTR32-2T	FTR32-2T-HD	32.16	23.98	28.30	102 / 122
100AH	HT145ET	FTR42-2T	FTR42-2T-HD	41.80	23.98	28.30	118 / 137
	HT150ET	FTR32-2T	FTR32-2T-HD	32.16	23.98	28.30	102 / 122
150AH	HT170ET	FTR32-2T	FTR32-2T-HD	32.16	23.98	28.30	102 / 122
200AH	HT200ET	FTR32-2T	FTR32-2T-HD	32.16	23.98	28.30	102 / 122

** Rack only. For Options, see Cable kit, safety shield, and main bus bar charts.

FTR32-2T

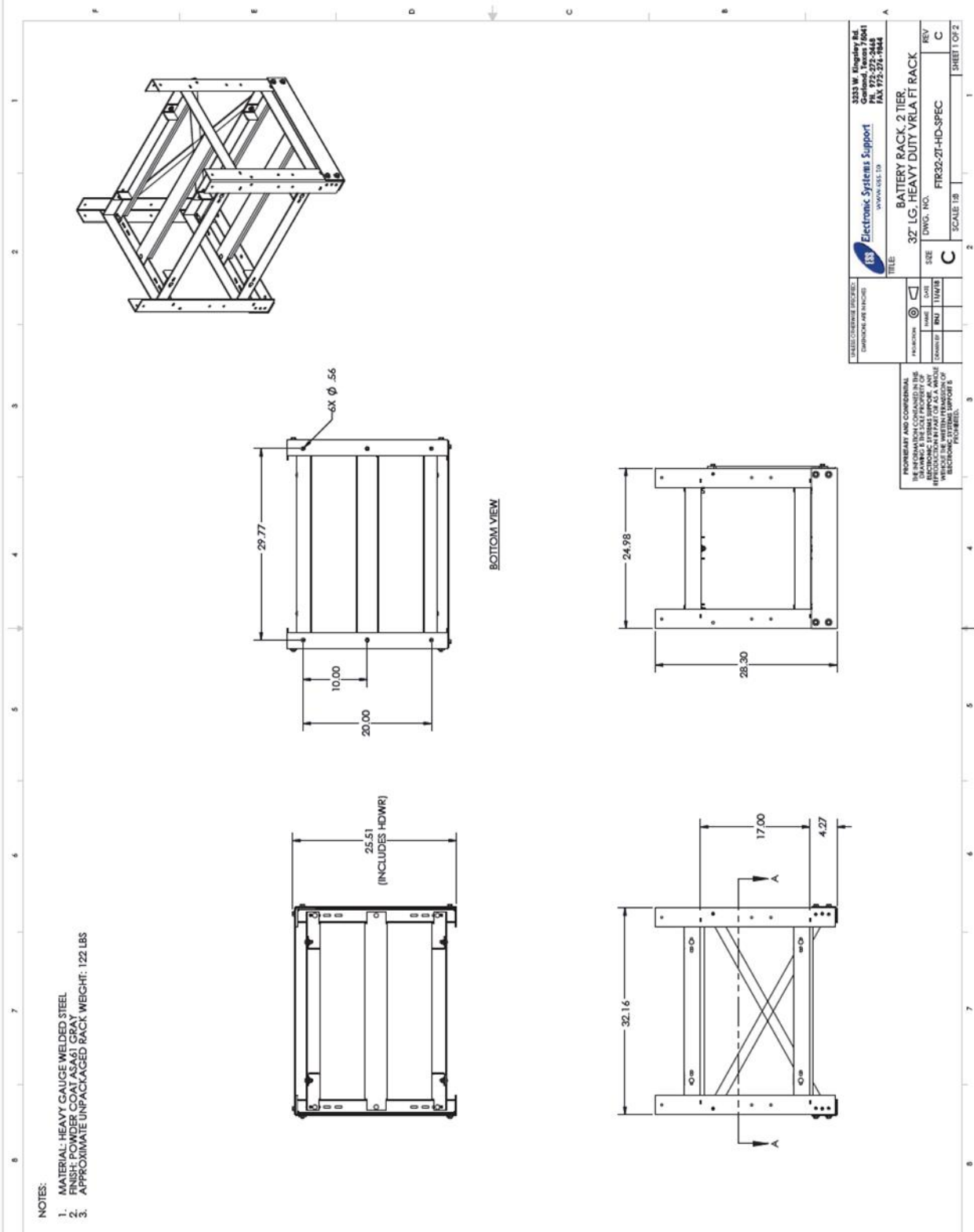
NOTES:

1. MATERIAL: HEAVY GAUGE WELDED STEEL
2. WEIGHT: APPROXIMATE UNPACKAGED BACK WEIGHT: 102 LBS
3. APPROXIMATE UNPACKAGED BACK WEIGHT: 102 LBS



		3033 W. Mansfield Rd. Garland, Texas 75041 Ph: 972-275-3444 Fax: 972-275-1844	
UNLESS OTHERWISE SPECIFIED, DIMENSIONS ARE IN INCHES			
PROVISION NAME DATE	TITLE BATTERY RACK, 2 TIER, 32' LG., VRLA FT RACK	SEE DWG. NO. FTR32-2T-SPEC	REV D
PROVISION AND COMMENTARY THE INFORMATION CONTAINED IN THIS DRAWING IS THE PROPERTY OF ESB ELECTRONIC SYSTEMS SUPPORT. ANY REPRODUCTION OR TRANSMISSION OF THIS INFORMATION WITHOUT THE WRITTEN PERMISSION OF ESB ELECTRONIC SYSTEMS SUPPORT IS PROHIBITED.		SCALE 1/8" = 1'-0"	SHEET 1 OF 2

FTR32-2THD

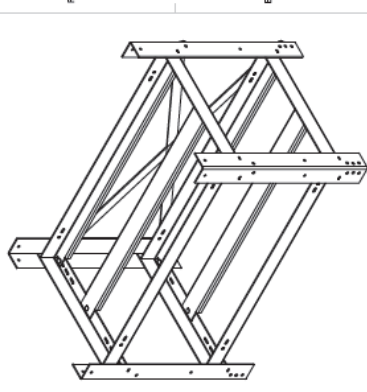


NOTES:

1. MATERIAL: HEAVY GAUGE WELDED STEEL
2. FINISH: POWDER COAT ASA61 GRAY
3. APPROXIMATE UNPACKAGED RACK WEIGHT: 122 LBS

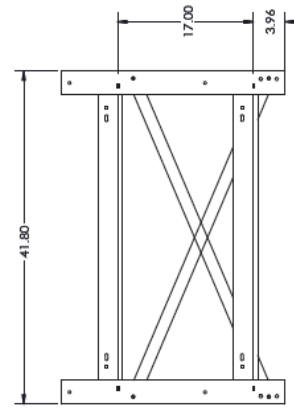
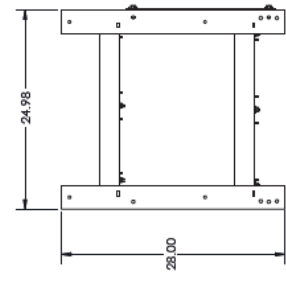
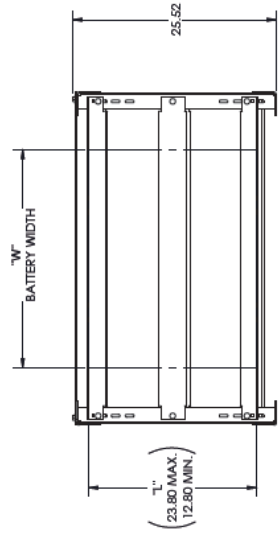
ES&S Electronic Systems Support WWW.ES&S.COM 3033 W. Kingsley Rd. Garland, Texas 75041 TEL: 972-237-4444 FAX: 972-237-4444		ES&S Electronic Systems Support WWW.ES&S.COM	32 LG, HEAVY DUTY VRLA FT RACK DWG. NO. FTR32-2T-HD-SPEC SCALE: 1:8	REV C SHEET 1 OF 2
TITLE:	SIZE: C	DATE:	DRAWN BY:	CHECKED BY:
ALL DIMENSIONS UNLESS OTHERWISE SPECIFIED ARE IN INCHES.				
PROPRIETARY AND CONFIDENTIAL THE INFORMATION CONTAINED IN THIS DRAWING IS THE PROPERTY OF ES&S ELECTRONIC SYSTEMS SUPPORT. NO REPRODUCTION BY ANY MEANS WITHOUT THE WRITTEN PERMISSION OF ES&S ELECTRONIC SYSTEMS SUPPORT IS FORBIDDEN.				

FTR42-2T



MFG	BATTERY	"L"	"W" @ 4 WIDE	"W" @ 5 WIDE
C&D	UPS12-630MRF	20.2	-	30
C&D	UPS12-1000MRF	20.2	-	30
NORTHSTAR	NSB 145FT HT RED	15.18	-	31.45
ENERSYS	SBS 105F	15.53	27.08	33.85
ENERSYS	SBS 145F	15.53	27.2	34
C&D	LS 12-100	14.73	27.36	34.2
C&D	LS 6-200	14.73	27.36	34.2
C&D	LS 4-300	14.73	27.36	34.2
C&D	LS 2-600	14.73	27.36	34.2
DEKA	TEL12-1600PW	16.37	27.52	34.4
DEKA	12AVR14SET	16.32	27.56	34.45
DEKA	HT4SET	16.14	27.6	34.5
DEKA	12AVR-14SLIP	16.4	27.88	34.85
DEKA	12AVR-14S	16.82	27.88	34.85
C&D	UPS12-600MRF	20.7	33.6	-
DEKA	40M8500	19.69	33.72	-
C&D	UPS12-745MRF	19.91	34.8	-

- NOTES:
1. MATERIAL: HEAVY GAUGE WELDED STEEL.
 2. FINISH: POWDER COAT ASA61 GRAY.
 3. APPROXIMATE UNPACKAGED RACK WEIGHT: 118 LBS



Electronic Systems Support
 5545 W. Highway 26
 Grand Prairie, TX 75041
 PH: 972-272-3448
 FAX: 972-272-1944

Electronic Systems Support
 5545 W. Highway 26
 Grand Prairie, TX 75041
 PH: 972-272-3448
 FAX: 972-272-1944

DATE: 06/25/2013
 DRAWING NO.: FTR42-2T-SPEC
 SCALE: 1/8"

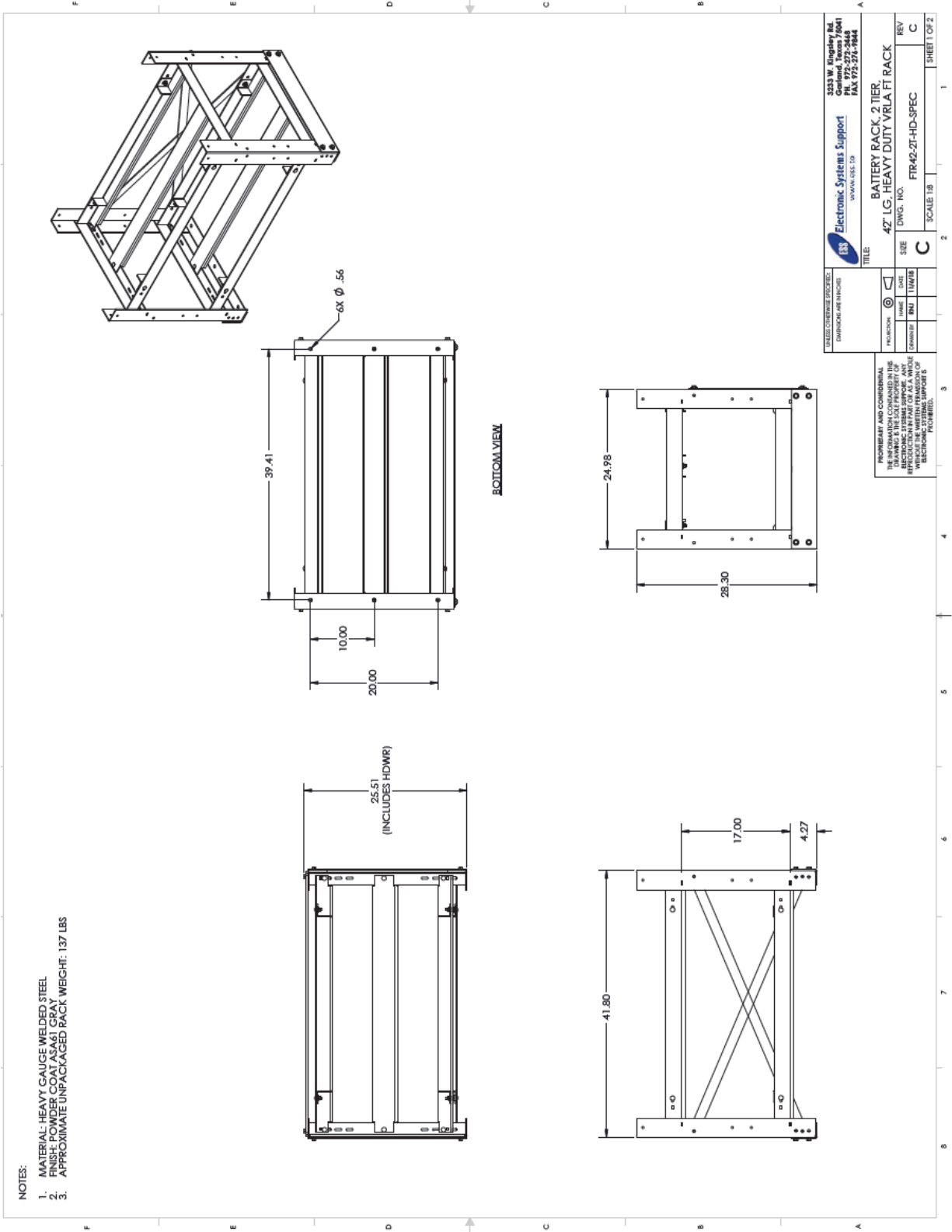
REV D
 SHEET 1 OF 1

UNLESS OTHERWISE SPECIFIED, ALL DIMENSIONS ARE IN INCHES.

PROVISIONS: NAME DATE
 DRAWN BY: BNL
 CHECKED BY: J71/ALB

FOR THE PROPERTY OF ELECTRONIC SYSTEMS SUPPORT, INC. ALL INFORMATION CONTAINED HEREIN IS UNCLASSIFIED EXCEPT WHERE SHOWN OTHERWISE. REPRODUCTION IN PART OR AS A WHOLE IS PROHIBITED WITHOUT THE WRITTEN PERMISSION OF ELECTRONIC SYSTEMS SUPPORT, INC.

FTR42-2THD

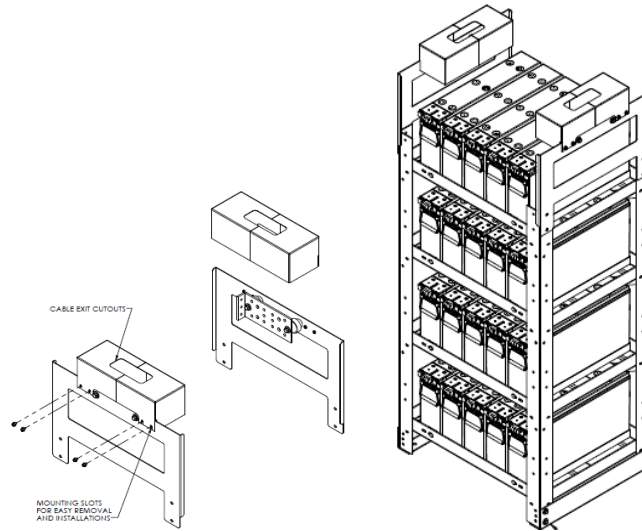


Switchgear Control Backup Ordering Guide

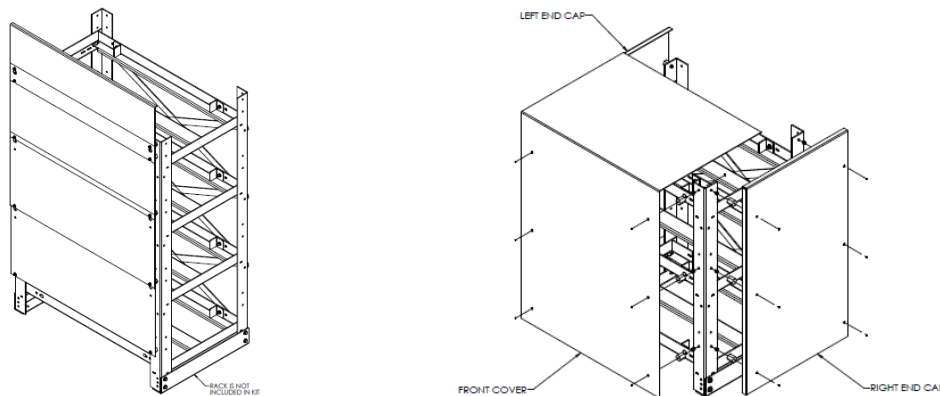
East Penn Manufacturing Co.

Rack Solutions B

Collector Bus Bar Kit for all FTR Racks only – KIT-040600



Protective Shields – Modular and Full coverage



Modular

MDCVR-FTR32-2T Modular Front Terminal VRLA Rack, FTR32-2T

MDCVR-FTR42-2T Modular Front Terminal VRLA Rack, FTR42-2T

Full coverage

CVRFTR32-2T Total Cover, Front Terminal VRLA Rack, FTR32-2T

CVRFTR42-2T Total Cover, Front Terminal VRLA Rack, FTR42-2T

Switchgear Control Backup Ordering Guide

East Penn Manufacturing Co.

Rack Solutions B

Cabling for FTR Open Racks

Inter-tier cables for FTR32-2T and FTR32-2THD			
ESS part number	Description	Cable gauge	Max amps
WC6-050-AA	Qty (1) 50" Inter-tier cable - 1/4" hole lugs (for 5/16" hole lugs use suffix BB in place of AA)	# 6 ga.	97
WC4-050-AA		# 4 ga.	147
WC2-050-AA		# 2 ga.	232
WC1/0-050-AA		1/0	305
WC2/0-050AA		2/0	355
WC4/0-050-AA		4/0	482
Inter-tier cables for FTR42-2T and FTR42-2THD			
ESS part number	Description	Cable	Max
WC6-060-AA	Qty (1) 60" Inter-tier cable - 1/4" hole lugs (for 5/16" hole lugs use suffix BB in place of AA)	# 6 ga.	97
WC4-060-AA		# 4 ga.	147
WC2-060-AA		# 2 ga.	232
WC1/0-060-AA		1/0	305
WC2/0-060AA		2/0	355
WC4/0-060-AA		4/0	482

Switchgear Control Backup Ordering Guide

East Penn Manufacturing Co.

Hindle Charger Options

AH	Run Time (Hrs)	Amps	Amp Charge	Cabinet Style	Group	Charger Part #	Model #
50	8	6.25	12	594	1	AT10-130-012	AT130012F240SXXXXXXXXXXHPI
100	8	12.5	20	594	1	AT10-130-020	AT130020F240SXXXXXXXXXXHPI
150	8	18.75	30	5017	2	AT10-130-030	AT130030F240SXXXXXXXXXXHPI
200	8	25	40	5018	2	AT10-130-040	AT130040F240SXXXXXXXXXXHPI



Cabinet Style 594



Cabinet Style 5017



Cabinet Style 5018

Product Drawings and Specifications

[Cabinet Style 594](#)

[Cabinet Style 5017](#)

[Cabinet style 5018](#)

[AT10 Series Charger](#)

Charger Floor Mounting Kit, EI0192-00

Floor Mount kit is for Cabinet styles 594 & 5017

[Floor Mount Drawing 594 / 5017](#)



Switchgear Control Backup Ordering Guide

East Penn Manufacturing Co.

Battery Cabinet Power System

Features:

- Easy Front access
- 120-volt system
- 100 or 150AH batteries
- On-board battery charger
- Arrives fully assembled

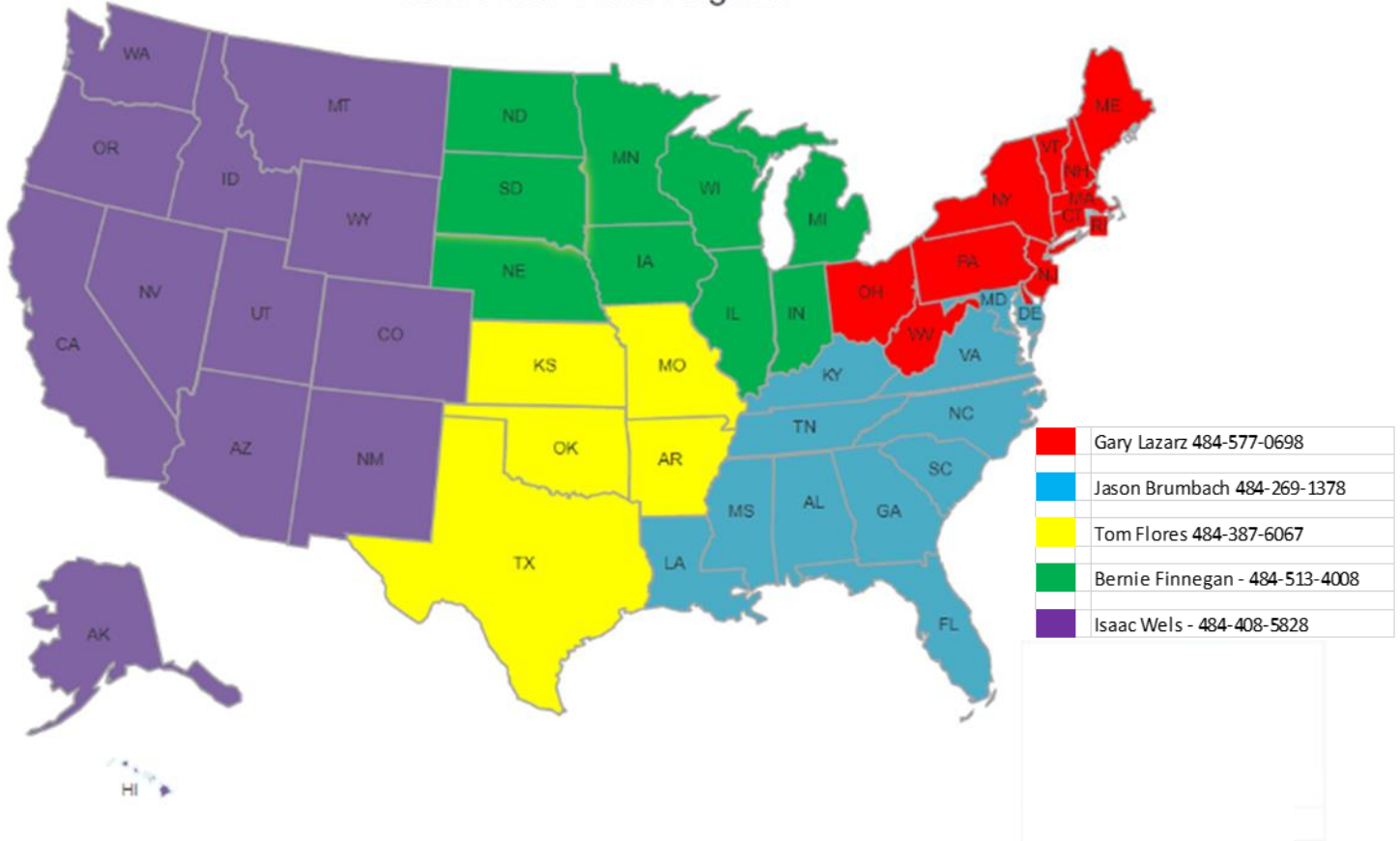


Specification Sheet



Sales contacts:

East Penn Sales Regions



Customer Technical Support:

Jeff Lambert

Ph: (610) 682-6361 Ext 2848

Cell: (484) 955-2899

reservepowerwarranty@dekabatteries.com

Deka Services – EF&I Solution Provider



Installation, Maintenance, Capacity Testing