



ES5-12FR T2

SPECIFICATIONS

Nominal Voltage (V) 12V

Nominal Capacity

20 hour rate (0.25A to 10.50V)	5Ah
10 hour rate (0.475A to 10.50V)	4.75Ah
5 hour rate (0.85A to 10.20V)	4.25Ah
1C (5A to 9.60V)	2.833Ah
3C (15A to 9.60V)	2.0Ah

Weight Approx. 4.18Lbs. (1.9kg)

Internal Resistance (at 1KHz) Approx. 19 mΩ

Maximum Discharge Current for 5 seconds : 75A

Operating Temperature Range

Charge	-15°C (5°F) to 40°C (104°F)
Discharge	-15°C (5°F) to 50°C (122°F)
Storage	-15°C (5°F) to 40°C (104°F)

Charge Retention (shelf life) at 20°C (68°F)

1 month	92%
3 months	90%
6 months	80%

Charging Methods at 25°C (77°F)

Cycle Use : Charging Voltage 14.4 to 15.0V
Coefficient -5.0mv / °C / cell
Maximum Charging Current : 1.5A

Standby Use : Float Charging Voltage 13.50 to 13.80V
Coefficient -3.0mv / °C / cell

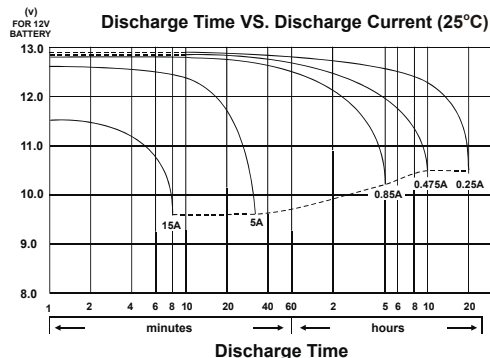
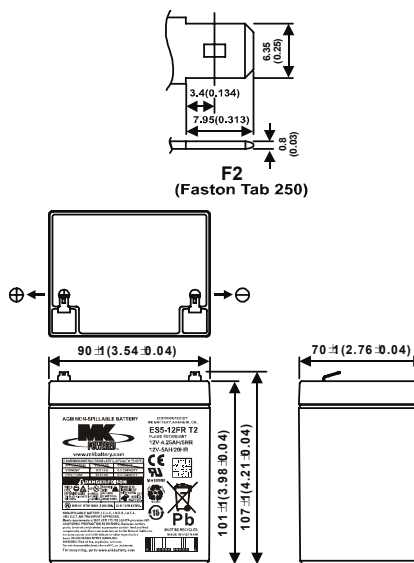
Case Material : ABS
(UL94 V-0 Flame Retardant Case Material)

Terminal : F2

Maintenance-Free Rechargeable Sealed Lead-Acid Battery



DIMENSIONS



MK Battery

1631 South Sinclair Street • Anaheim, California 92806

Toll Free: 800-372-9253 • Fax: 714-937-0818 • E-mail: sales@mkbattery.com

