

ESO.8-12

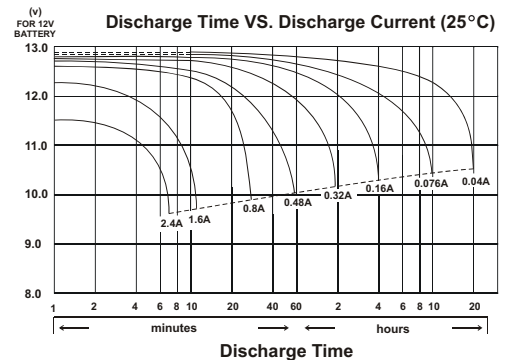
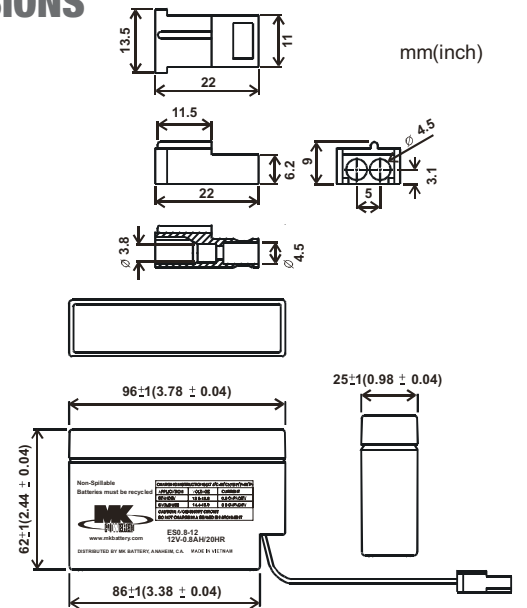
SPECIFICATIONS

Nominal Voltage (V):	12V
Nominal Capacity:	
20hour rate (0.04A to 10.50V)	0.8Ah
10hour rate (0.08A to 10.50V)	0.76Ah
5hour rate (0.136A to 10.20V)	0.68Ah
1C (0.8A to 9.60V)	0.36Ah
3C (2.4A to 9.60V)	0.288Ah
Weight:	0.82 Lbs. (0.37 kg)
Internal Resistance (at 1KHz):	125 mΩ
Maximum Discharge Current for 30 seconds:	16A
Maximum Discharge Current for 5 seconds:	32A
Operating Temperature Range:	
Charge	0°C(32°F) to 40°C (104°F)
Discharge	-15°C(5°F) to 50°C (122°F)
Storage	-15°C(5°F) to 40°C (104°F)
Charge Retention (shelf life) at 20°C (68°F):	
1 month	92%
3 month	90%
6 month	80%
Charging Methods at 25°C (77°F)	
Cycle use:	Charging Voltage 14.4 to 15.0V Maximum Charging Current 0.24A
Standby use:	Float Charging Voltage 13.50 to 13.80V
Life expectancy	
Cycle Use:	100% depth of discharge 200 cycles 80% depth of discharge 225 cycles 50% depth of discharge 500 cycles
Standby Use:	3~5 years
Case Material	ABS (Option: 94-HB & 94V-0 flame retardant case)
Terminal:	Wire

Maintenance-Free Rechargeable Sealed Lead-Acid Battery



DIMENSIONS



MK Battery

1645 South Sinclair Street • Anaheim, California 92806
Toll Free: 800-372-9253 • Fax: 714-937-0818 • E-Mail: sales@mkbattery.com

